




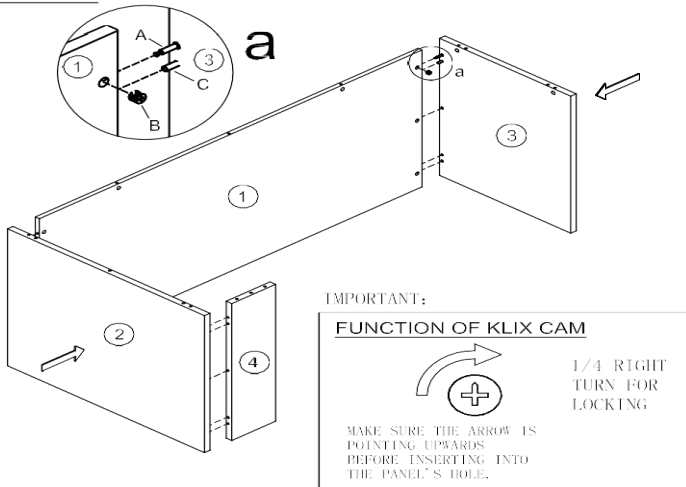


Product Specifications

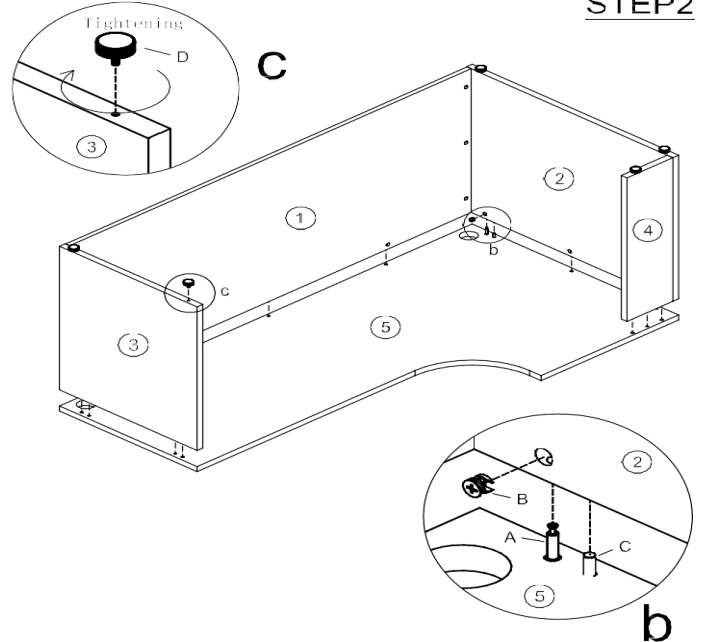
36"x72" Extended Corner (Right) Credenza

TUN010CL	TUN011KC		TUN021AG	
A 	B 	C 	D 	E 
Cam Lock 18Pcs+2Pcs(spare)	Klix Cam 18Pcs+2Pcs(spare)	Dowel 12Pcs+2Pcs(spare)	Adjustable Glide 5Pcs	60mm Black Grommet 2Pcs

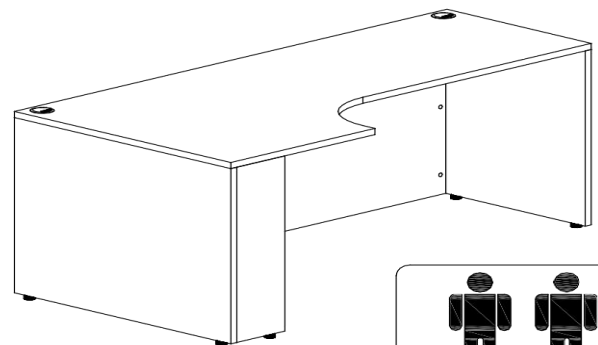
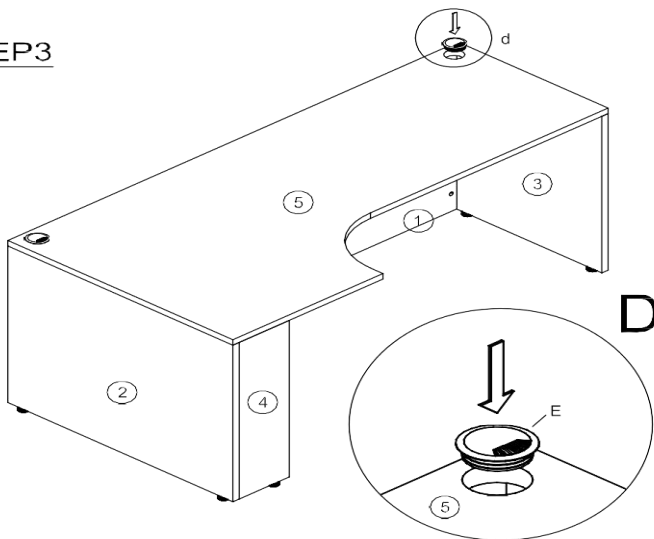
STEP1



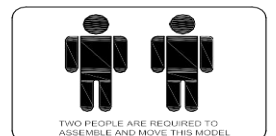
STEP2



STEP3



COMPLETED ASSEMBLY



IMPORTANT NOTE:

IMPORTANT NOTE:

- Place all laminated parts on a clean and smooth surface such as a rug or carpet to avoid the parts from being scratched.
- Check to be sure that you have all parts and hardware.
- Remove all wrapping materials, including staples & packing straps before you start to assemble.
- Don't tighten all screws/bolts until all completely assembled.
- Keep all hardware parts out of reach of children.
- It is recommended to require 2 persons to complete the assembly.