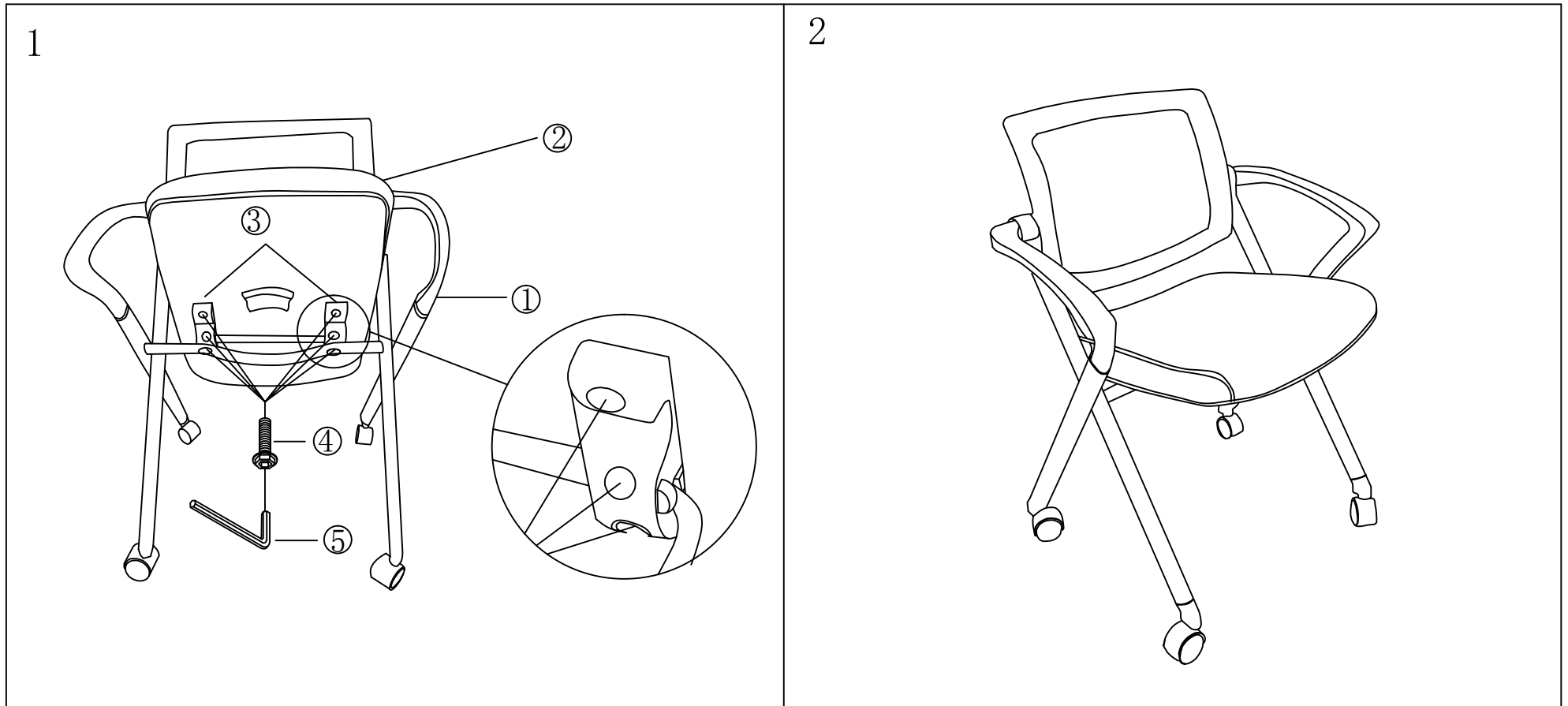


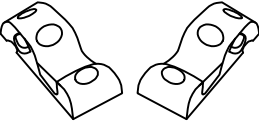
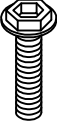



20102-00L ASSEMBLY INSTRUCTION



① Steel Frame	② Seat Cushion	③ Plastic Bracket	④ Screw	⑤ Allen Key
			1/4"*1-1/4"	
				
1 PC	1 PC	1 PAIR	6 PCS	1 PC