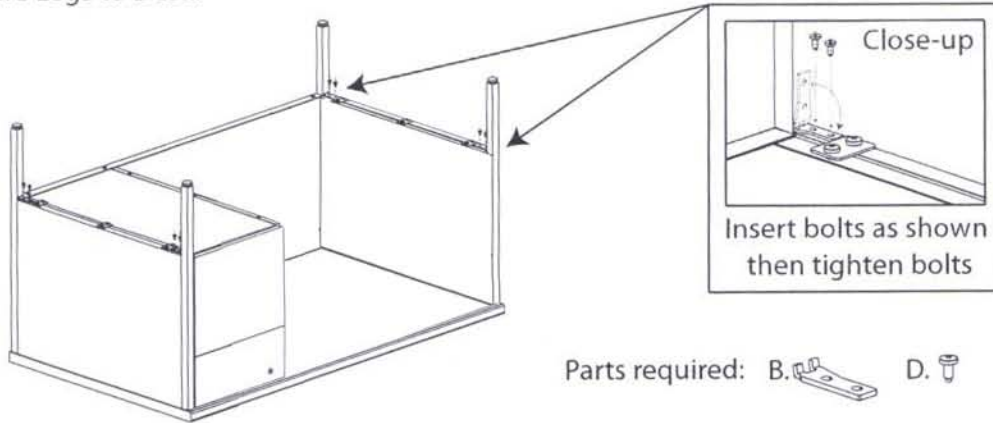


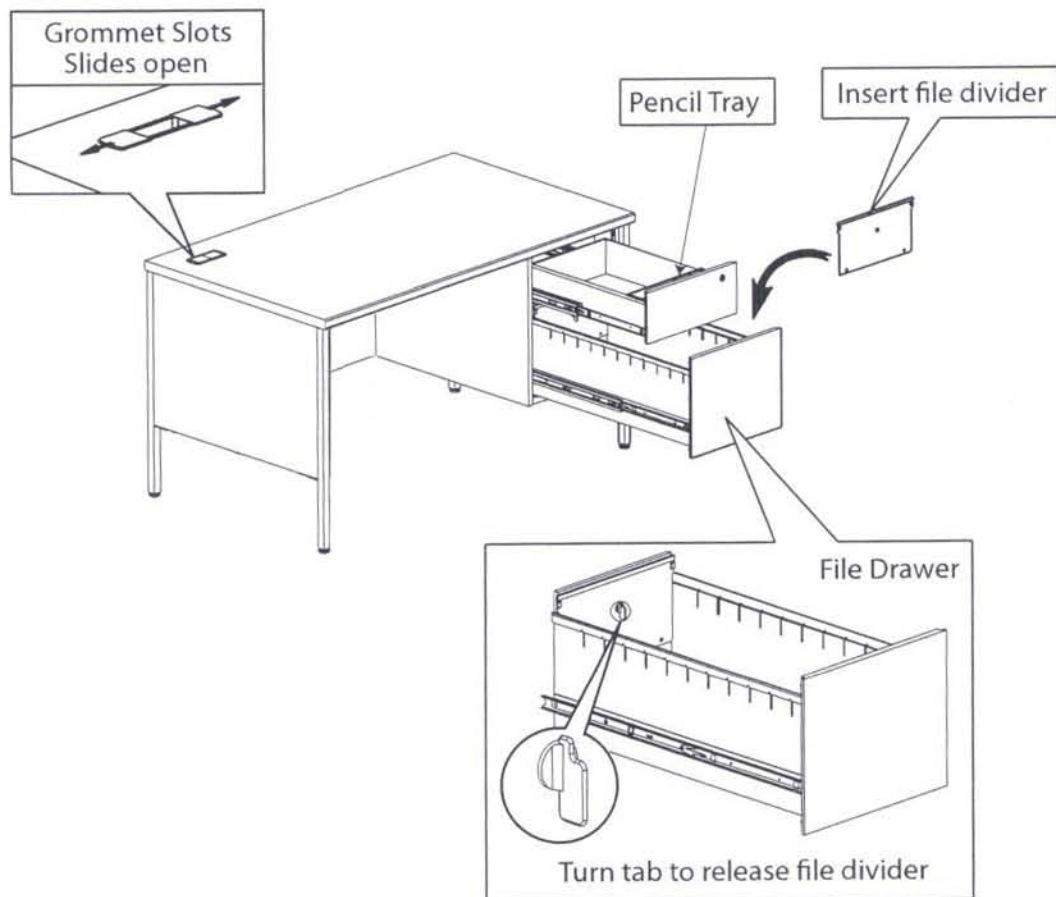
TM-2445D-LG

Steel Desk - Assembly Instructions

3 Secure Legs to Desk:

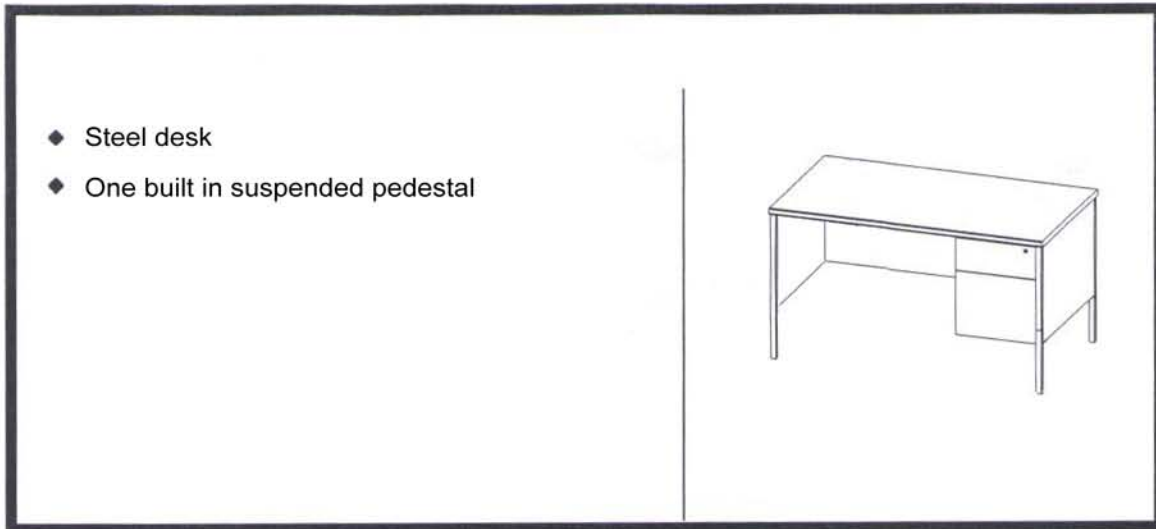


4 Drawer/s set up:

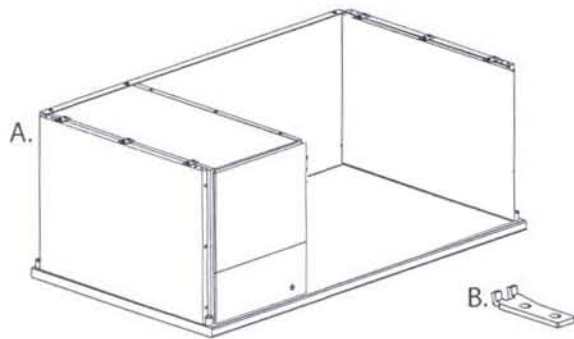


TM-2445D-LG

Steel Desk - Assembly Instructions



1 Parts Check:



A. Steel desk (main assembly)

B. Leg bracket (Qty. 4)

C. Leg (Qty. 4)

D. Bolt (Qty. 8)



2 Attach Legs:

Parts required: C.

