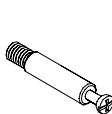

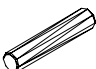
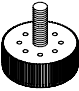
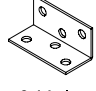
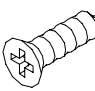



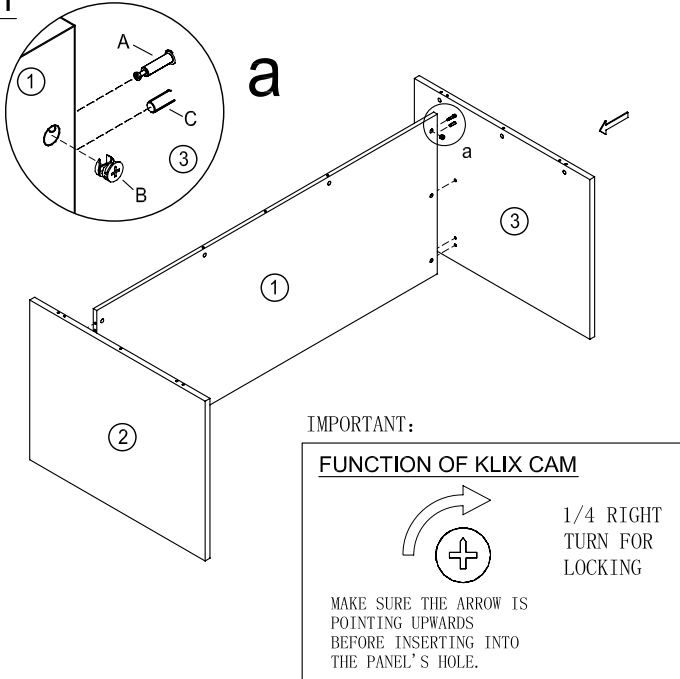
Assembly Instructions MODEL NO.:MDX-3671D

APRIL 2010

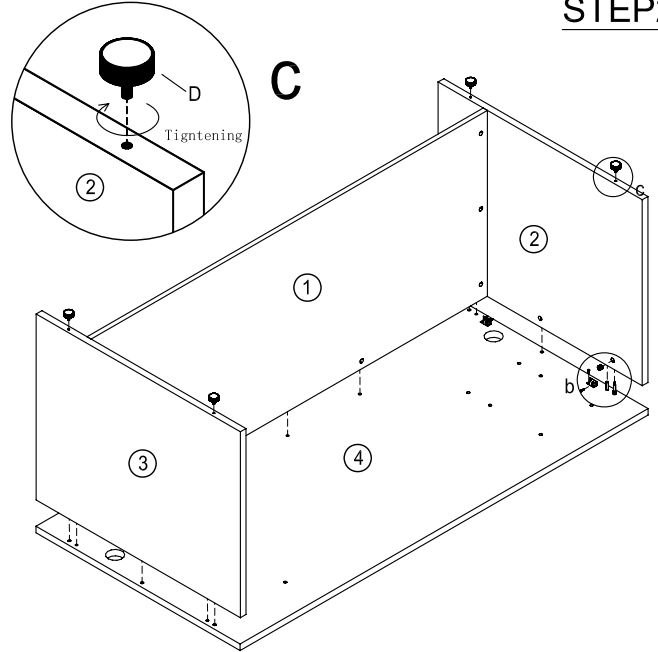
DESK SHELL

TUN010CL	TUN011KC	C	TUN021AG	TUN013LB	TUN018SC	TUN015BG
 A Cam Lock 14Pcs+2Pcs(spare)	 B Klix Cam 14Pcs+2Pcs(spare)	 C Dowel 9Pcs+2Pcs(spare)	 D Adjustable Glide 4Pcs	 E 6 Hole L-Bracket 5Pcs	 F Screw #4*5/8" 30Pcs+5Pcs(spare)	 G 60mm Black Grommet 2Pcs

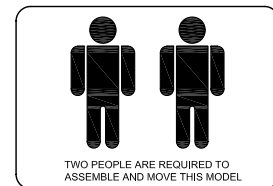
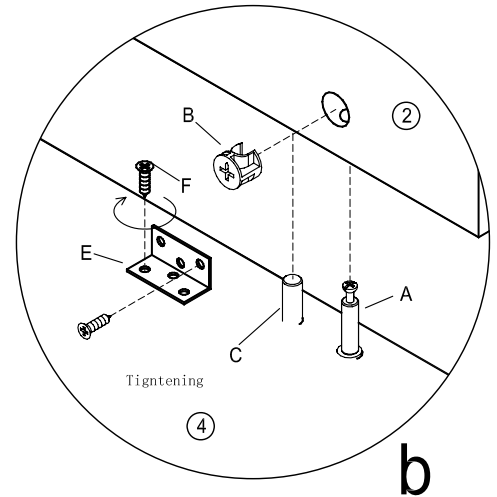
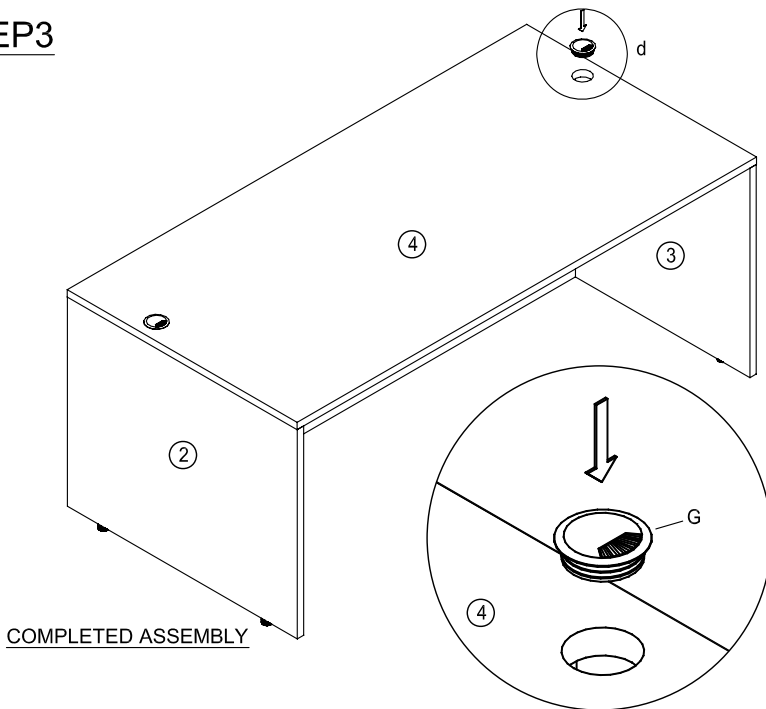
STEP1



STEP2

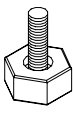
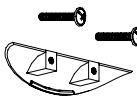
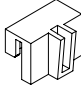


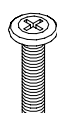


STEP3

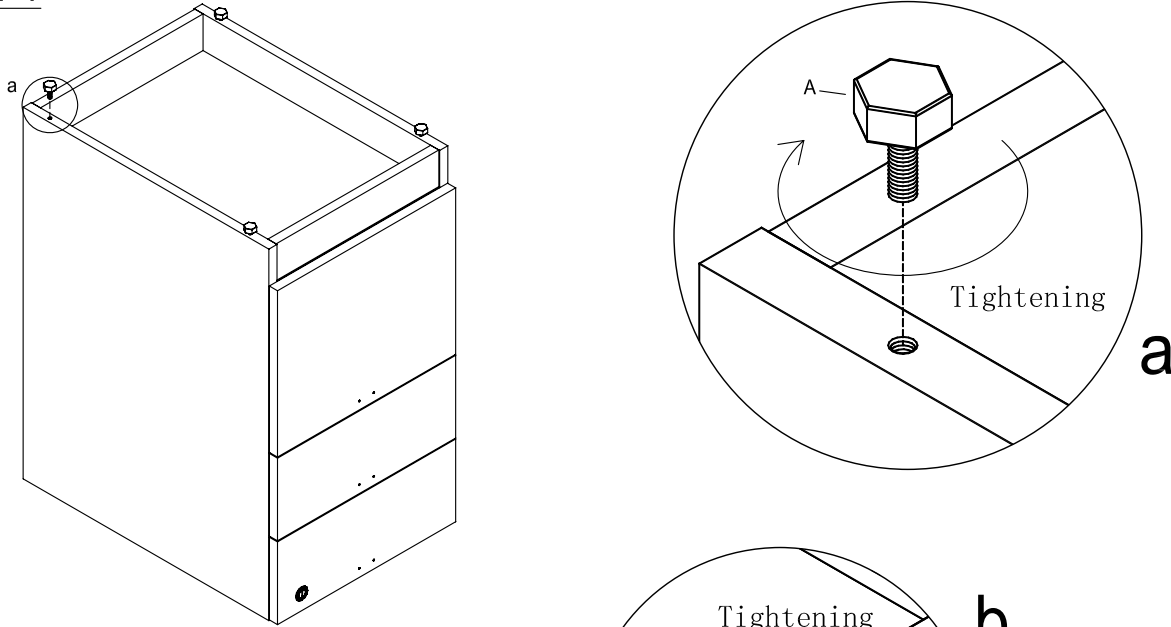


IMPORTANT NOTE:

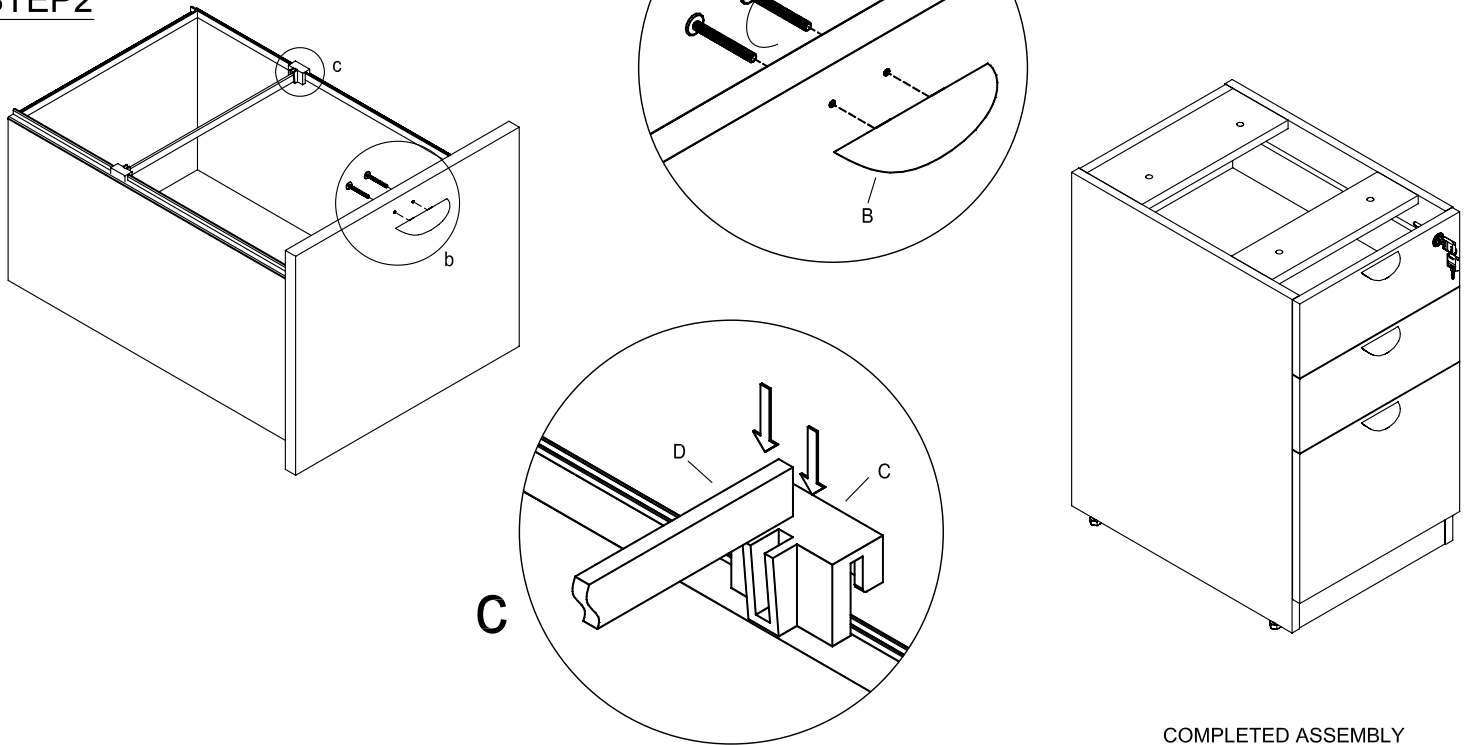
- Place all laminated parts on a clean and smooth surface such as a rug or carpet to avoid the parts from being scratched.
- Check to be sure that you have all parts and hardware.
- Remove all wrapping materials, including staples & packing straps before you start to assemble.
- Don't tighten all screws/bolts until all completely assembled.
- Keep all hardware parts out of reach of children.
- It is recommended to require 2 persons to complete the assembly.

<p>A</p>  <p>Adjustable Glide 4 Pcs</p>	<p>B</p>  <p>32mm Metal Scallop Shape Handle 3 Sets</p>	<p>TUN001FC</p>  <p>File Clip 2 Pcs+1 Pc(spare)</p>	<p>D</p>  <p>300*16*3mm Aluminium Bar 1 Pcs</p>	<p>E</p>  <p>Keys 1 Set</p>	<p>F</p>  <p>Screws M6*30 4 Pcs+1 Pc(spare)</p>
---	---	--	---	---	---

STEP1



STEP2



COMPLETED ASSEMBLY

IMPORTANT NOTE:

- Place all laminated parts on a clean and smooth surface such as a rug or carpet to avoid the parts from being scratched.
- Check to be sure that you have all parts and hardware.
- Remove all wrapping materials, including staples & packing straps before you start to assemble.
- Don't tighten all screws/bolts until all completely assembled.
- Keep all hardware parts out of reach of children.