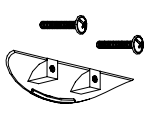
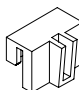
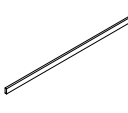
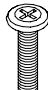
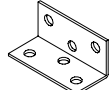
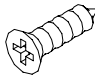

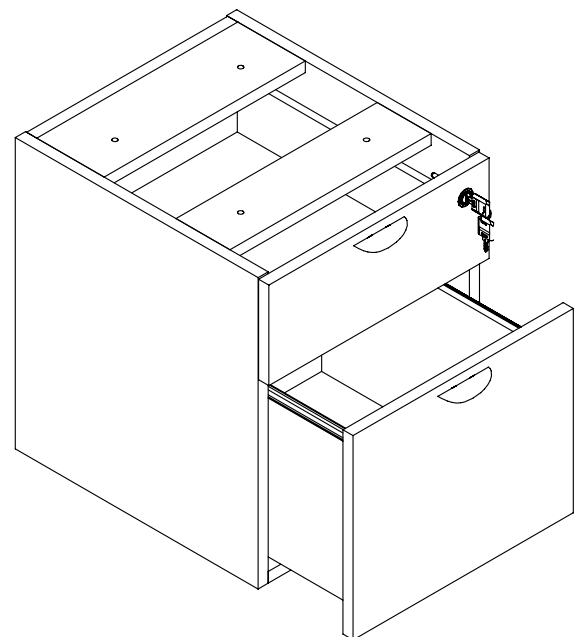
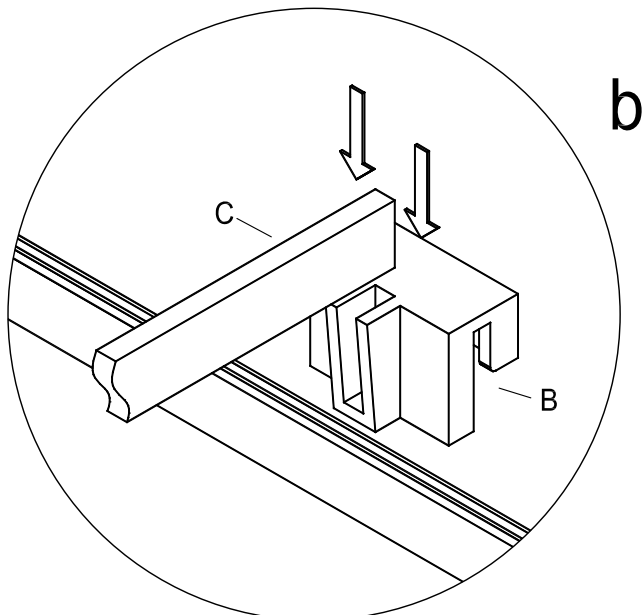
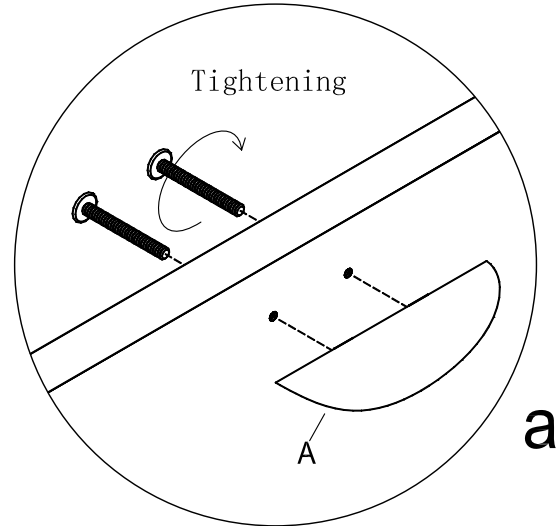
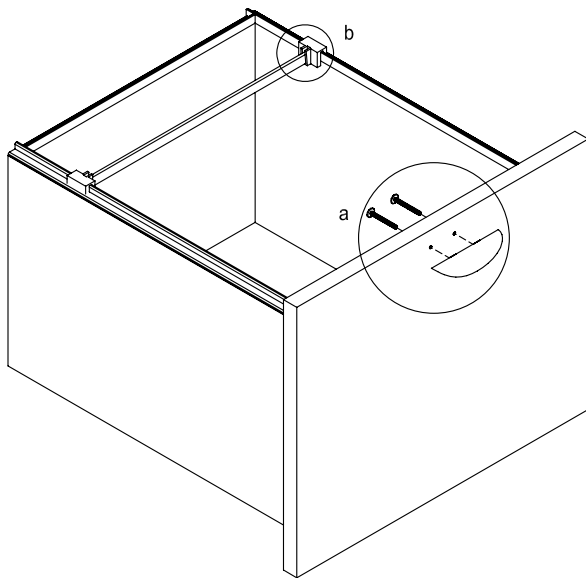


Assembly Instructions MODEL NO.:MDX-PBF

APRIL 2010

BOX/FILE PEDESTAL

TUN005MH	TUN001FC	TUN002AB	TUN027SC	TUN013LB6	TUN014SC	G
 32mm Metal Scallop Shape Handle 2 Sets	 File Clip 2 Pcs+1Pc(spare)	 300*16*3mm Aluminium Bar 1 Pc	 Screw M6*30mm 4 Pcs+1Pc(spare)	 6 Hole L-Bracket 2 Pcs	 Screw #4*5/8" 12 Pcs+3Pcs(spare)	 Keys 1 Set



COMPLETED ASSEMBLY

IMPORTANT NOTE:

- Place all laminated parts on a clean and smooth surface such as a rug or carpet to avoid the parts from being scratched.
- Check to be sure that you have all parts and hardware.
- Remove all wrapping materials, including staples & packing straps before you start to assemble.
- Don't tighten all screws/bolts until all completely assembled.
- Keep all hardware parts out of reach of children.