


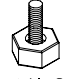
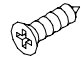
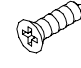
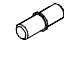
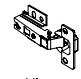

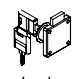
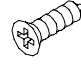
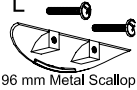
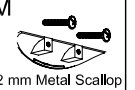

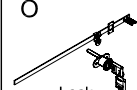
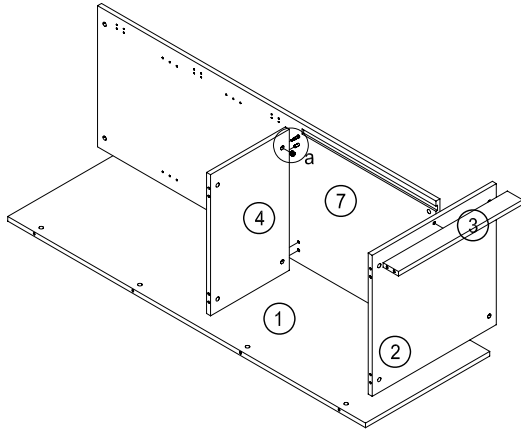
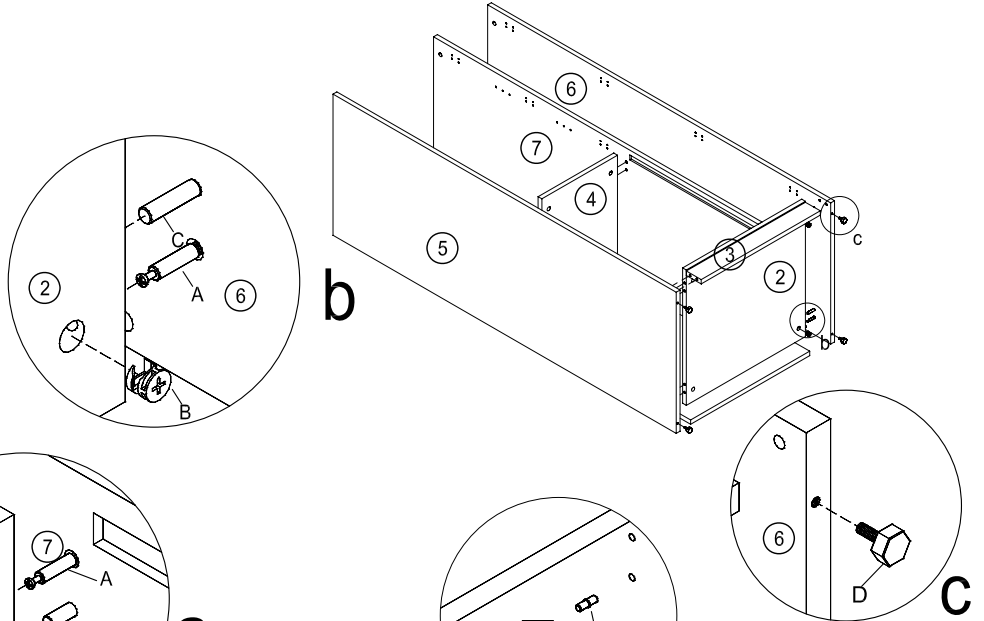


TUN010CL A  Cam LOCK 26Pcs+2Pcs(spare)	TUN011KC B  Klix Cam 26Pcs+2Pcs(spare)	C  Dowel 18Pcs+2Pcs(spare)	TUN021AG D  Adjustable Glide 4PCS	E  Screw #3*12 46Pcs+5Pcs(spare)	TUN018SC F  Screw #4*5/8 42Pcs+5Pcs(spare)	TUN020SD G  Shelf Dowel 8 Pcs+2Pcs(spare)	TUN022DH H  Hinge 4 Pcs	I  Hinge 3 Pcs	J  Lock 2 Sets
		K  Screw #4*5/8 8Pcs+2Pcs(spare)	L  96 mm Metal Scallop Shape Handle 2 Sets	M  32 mm Metal Scallop Shape Handle 2 Sets	N  Slide 2Sets	O  Lock 1 Set			

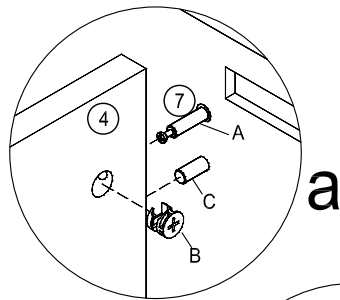
STEP 1



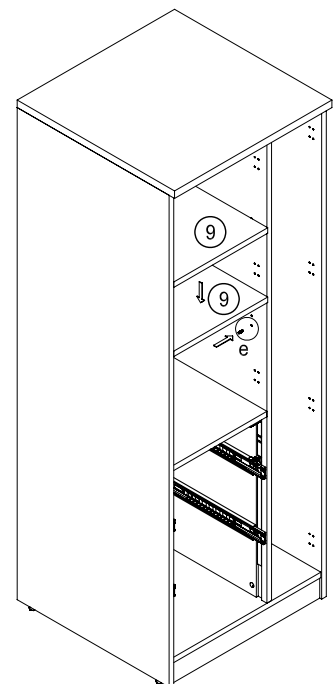
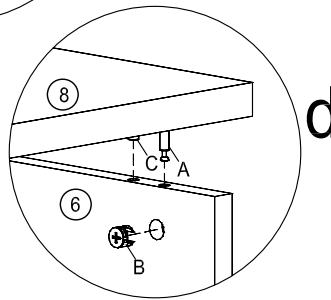
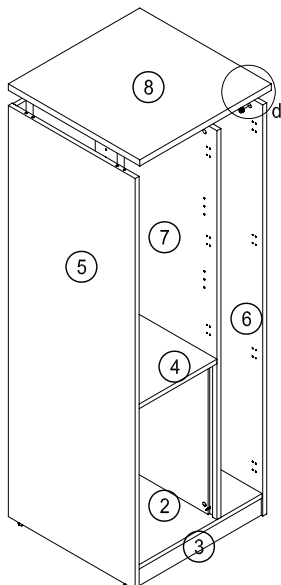
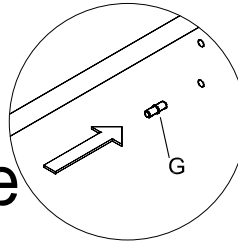
STEP 2



STEP 3

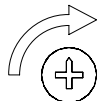


STEP 4



IMPORTANT:

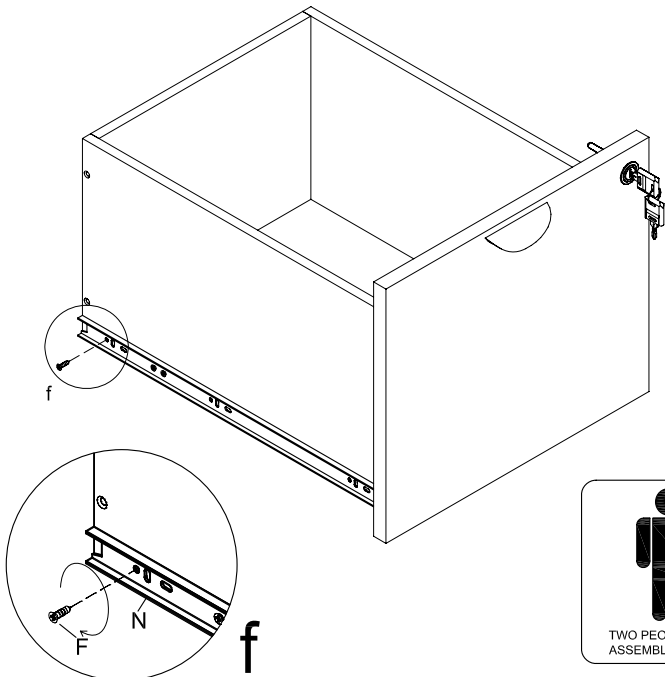
FUNCTION OF KLIX CAM



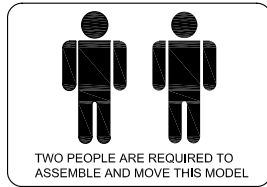
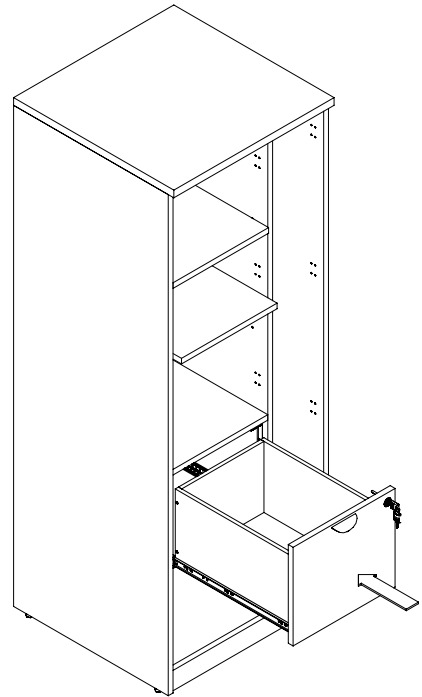
1/4 RIGHT
TURN FOR
LOCKING

MAKE SURE THE ARROW IS
POINTING UPWARDS
BEFORE INSERTING INTO
THE PANEL'S HOLE.

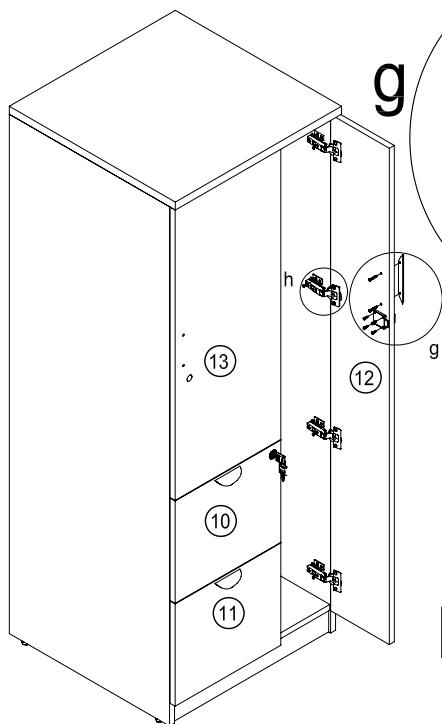
STEP 5



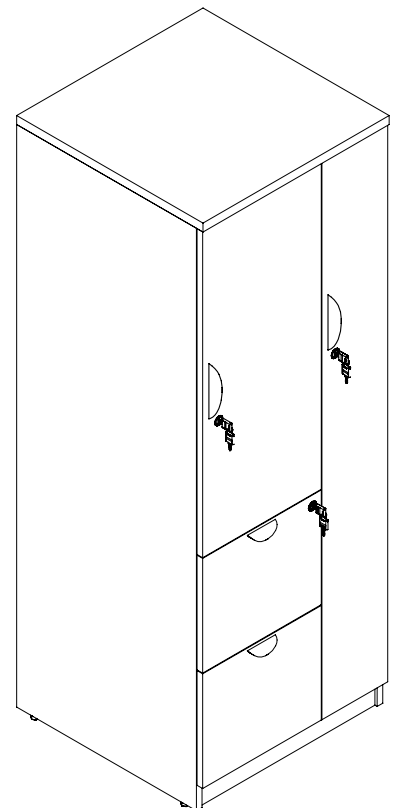
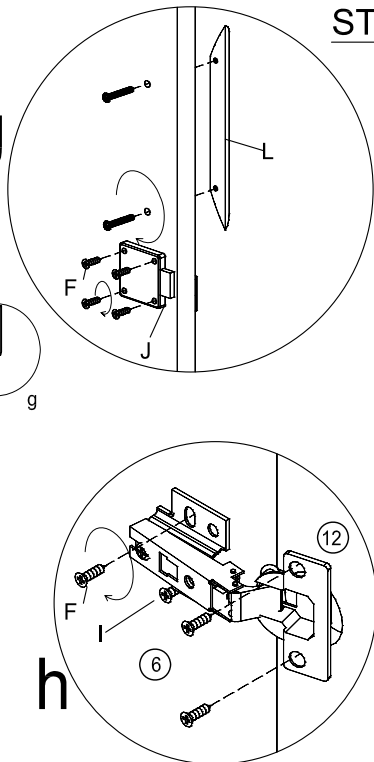
STEP 6



STEP 7



STEP 8



IMPORTANT NOTE:

- Place all laminated parts on a clean and smooth surface such as a rug or carpet to avoid the parts from being scratched.
- Check to be sure that you have all parts and hardware.
- Remove all wrapping materials, including staples & packing straps before you start to assemble.
- Don't tighten all screws/bolts until all completely assembled.
- Keep all hardware parts out of reach of children.
- It is recommended to require 2 persons to complete the assembly.