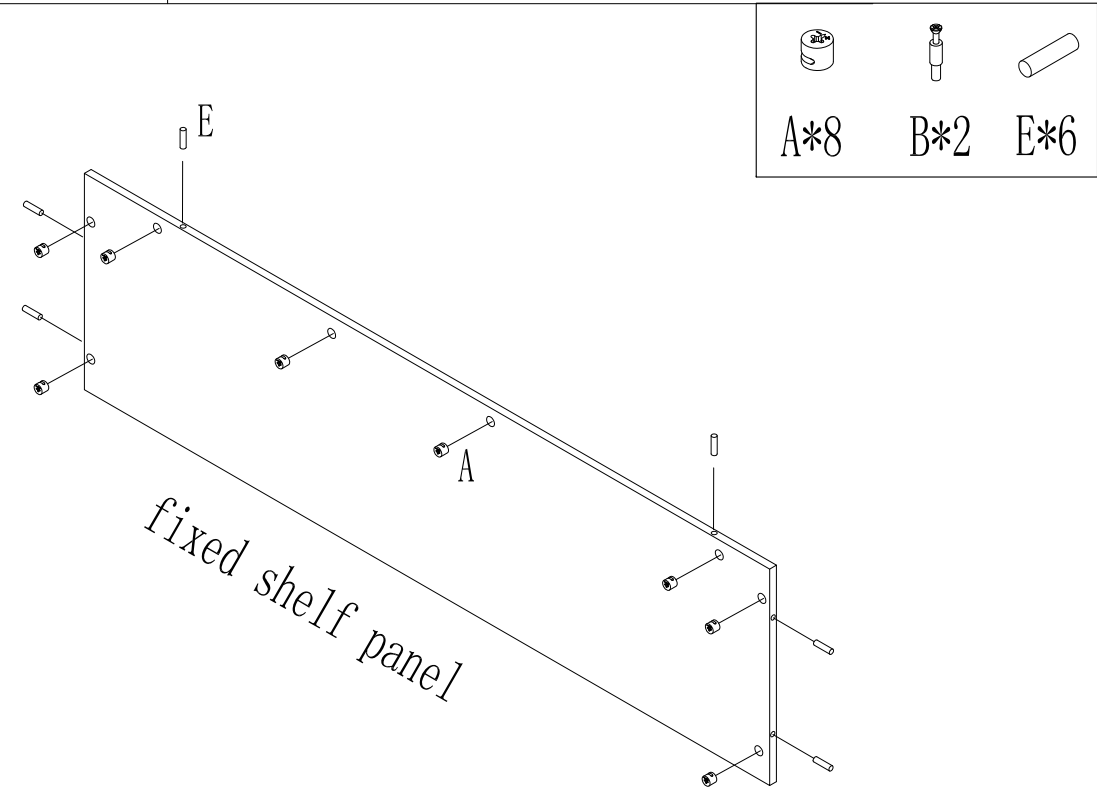
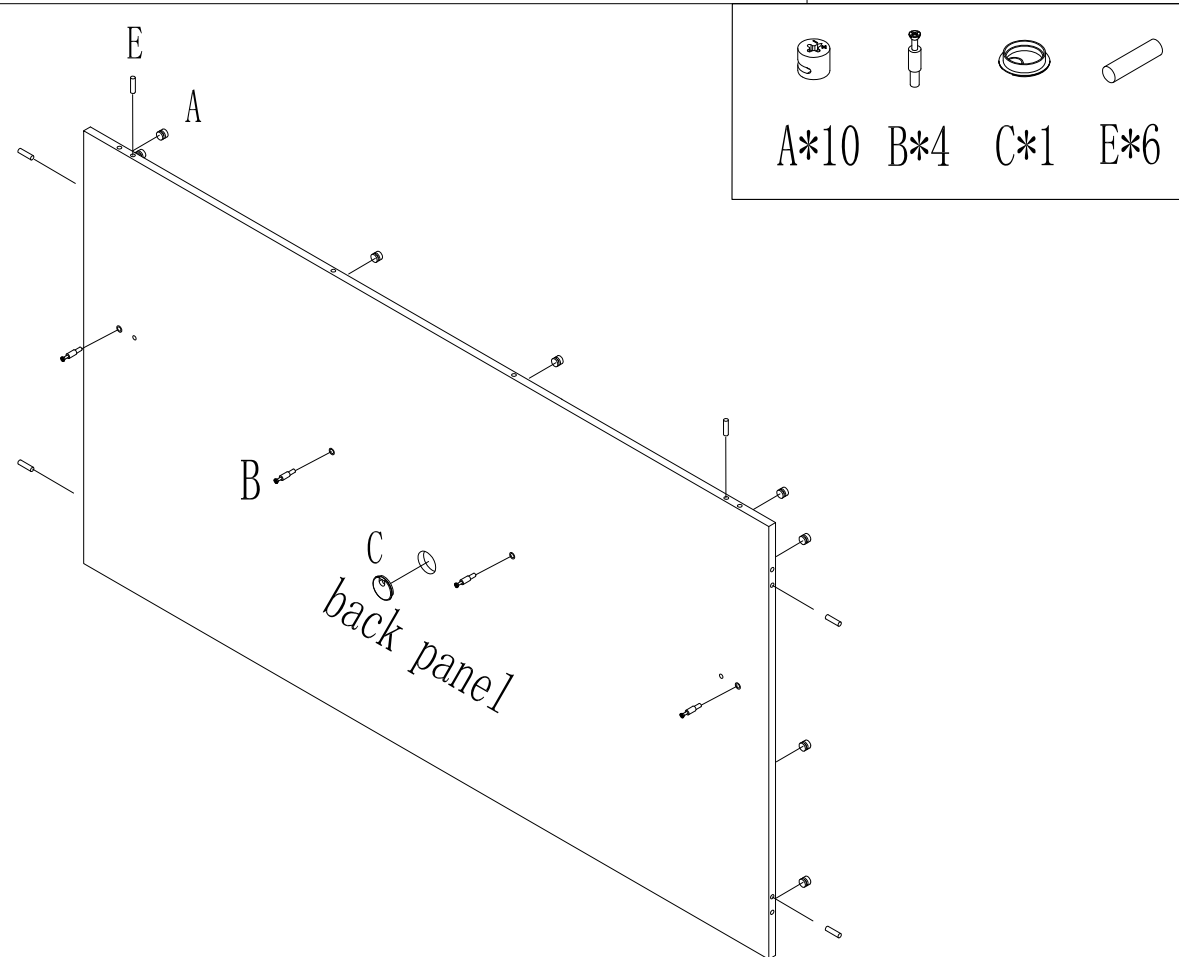
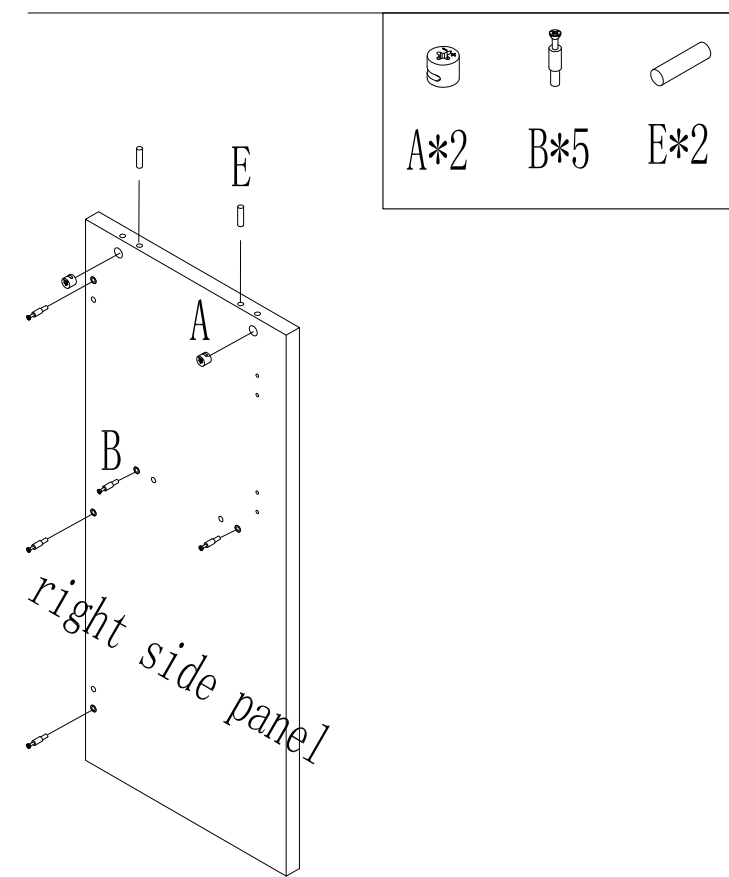
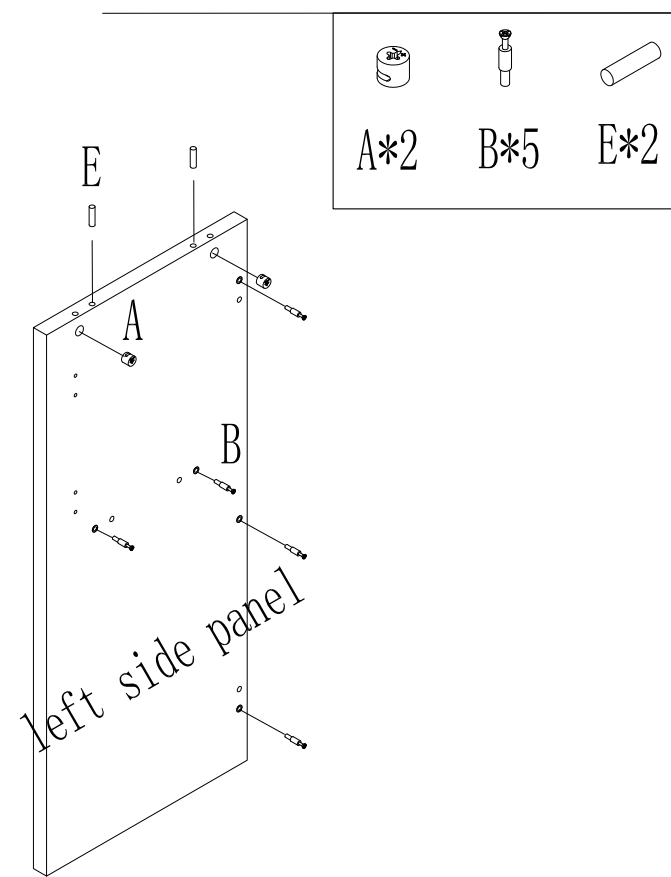
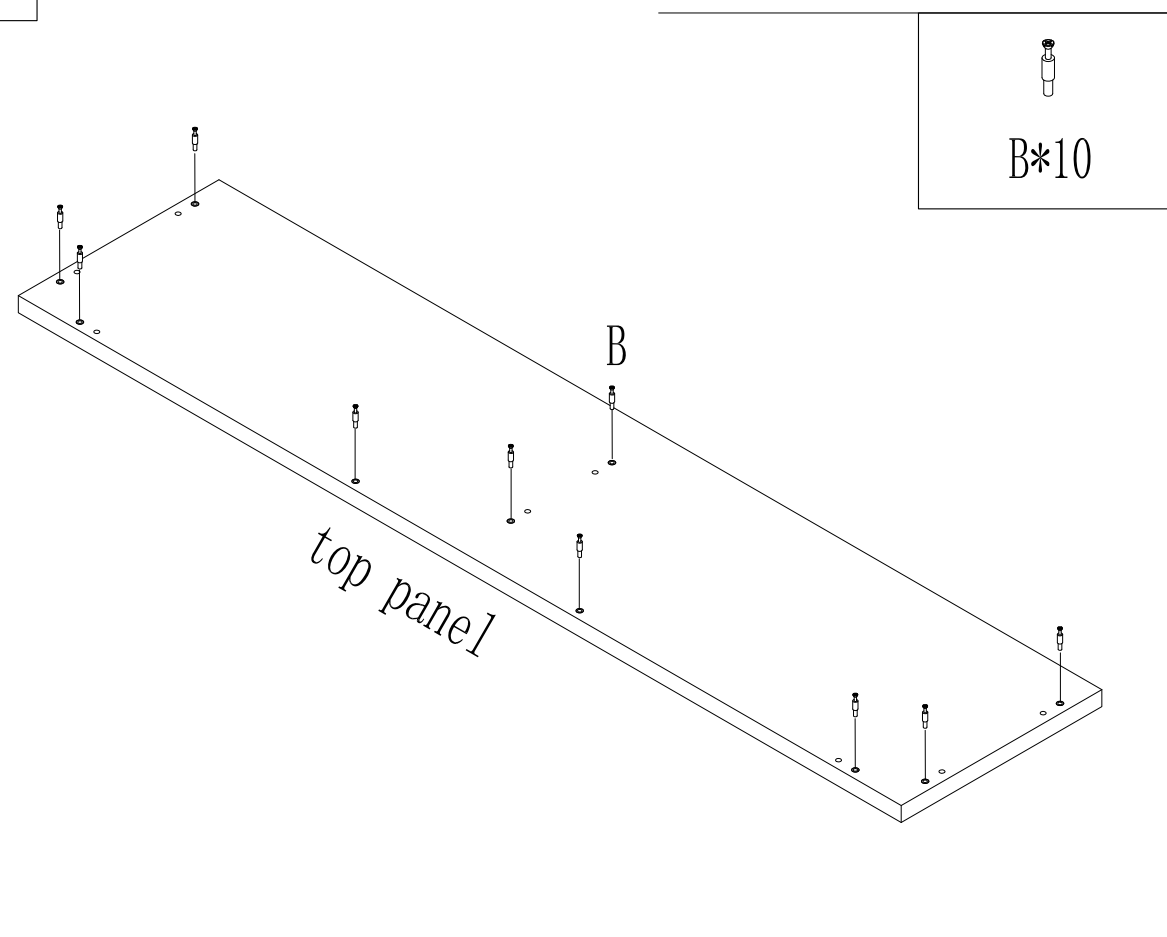


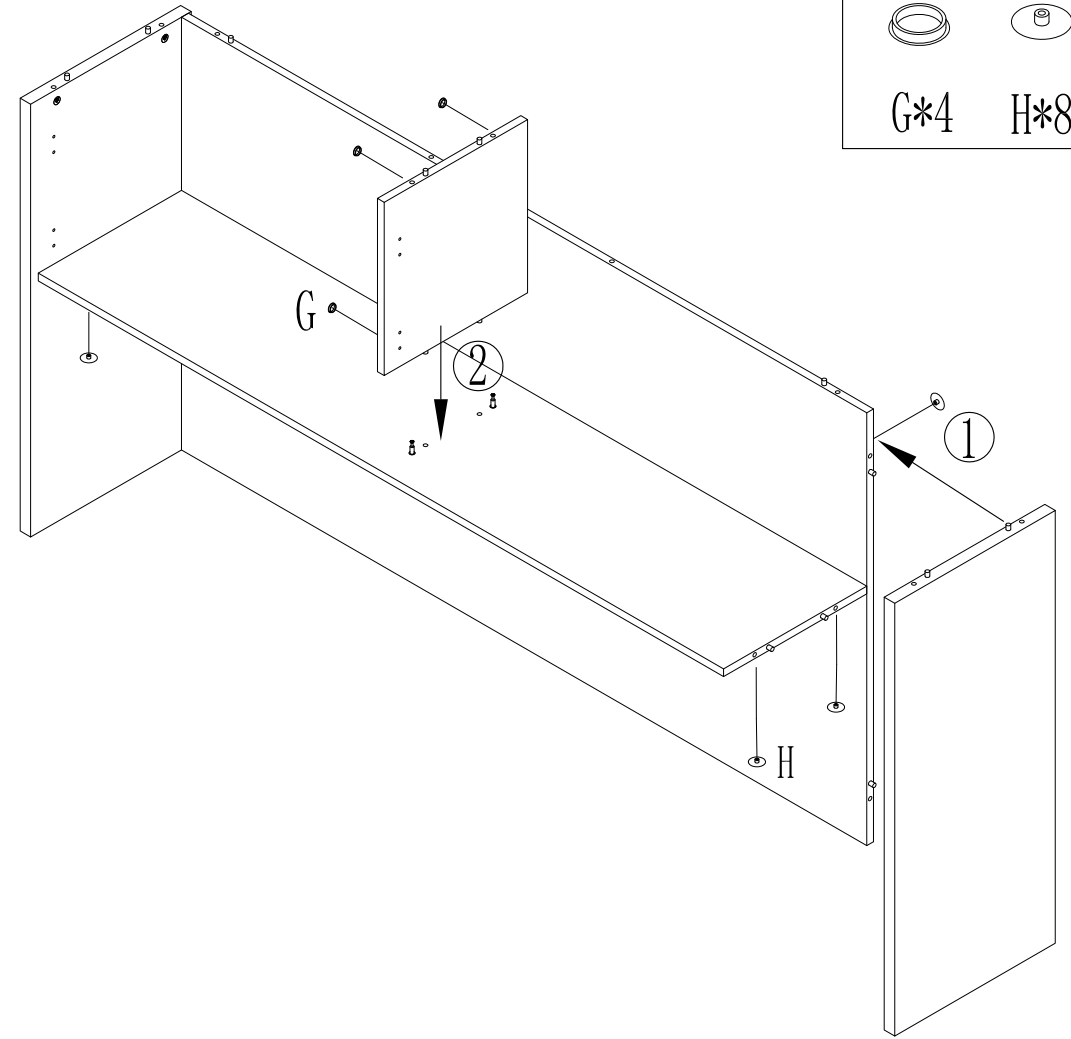
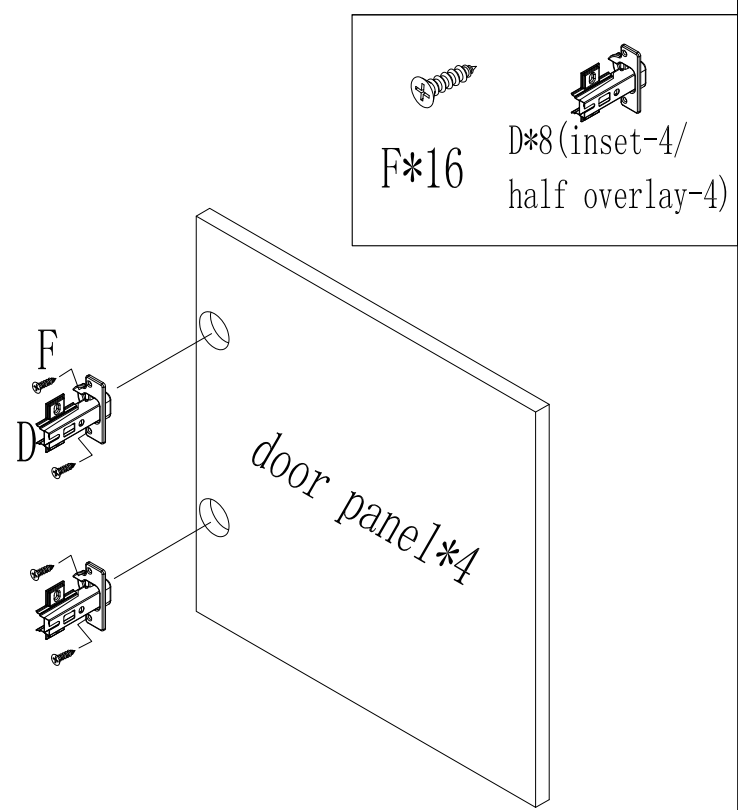
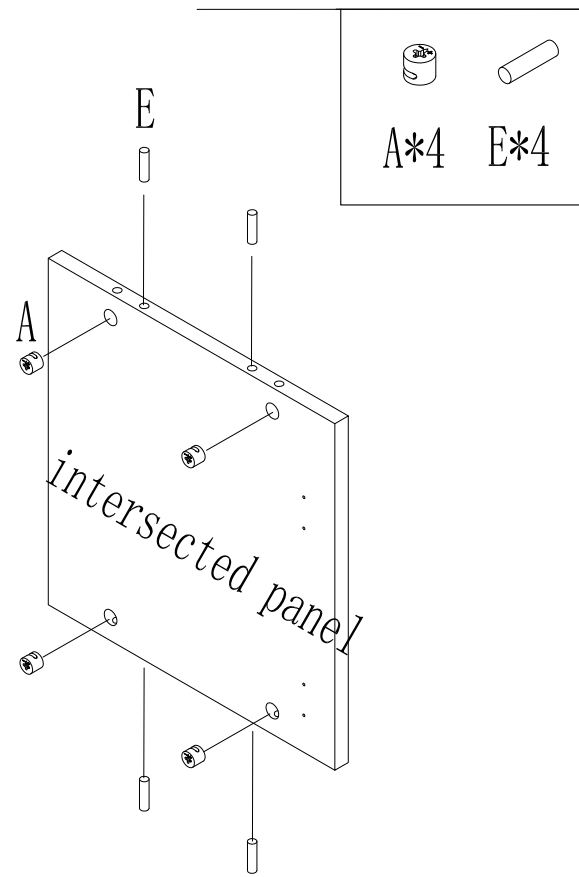
Installation/MDX-15710openHutch

1

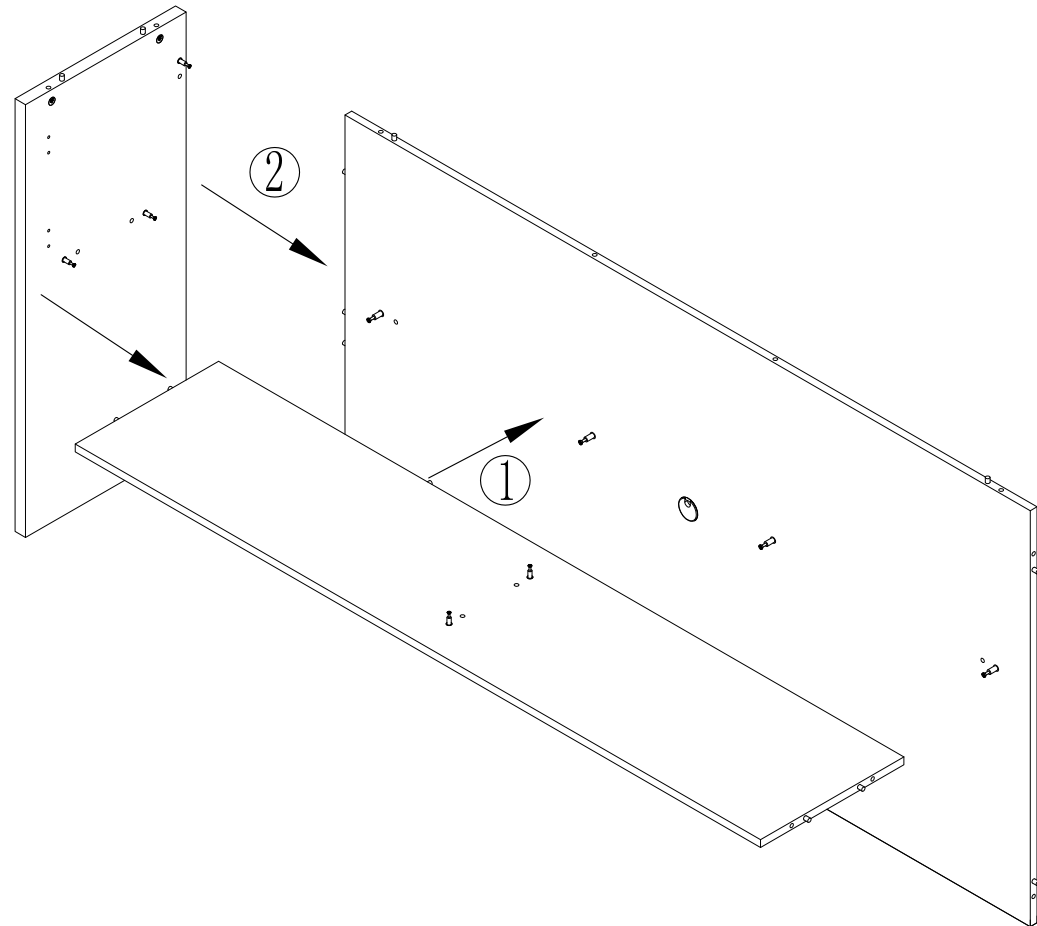


Installation/MDX-15710penHutch

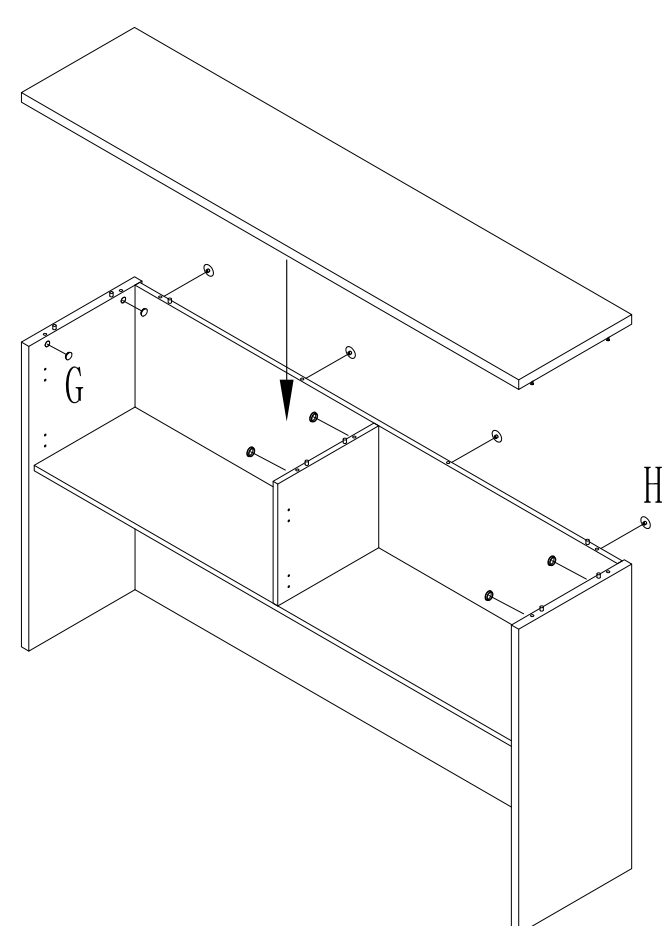
3



2



4

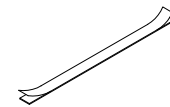


Installation / 15710openHutch

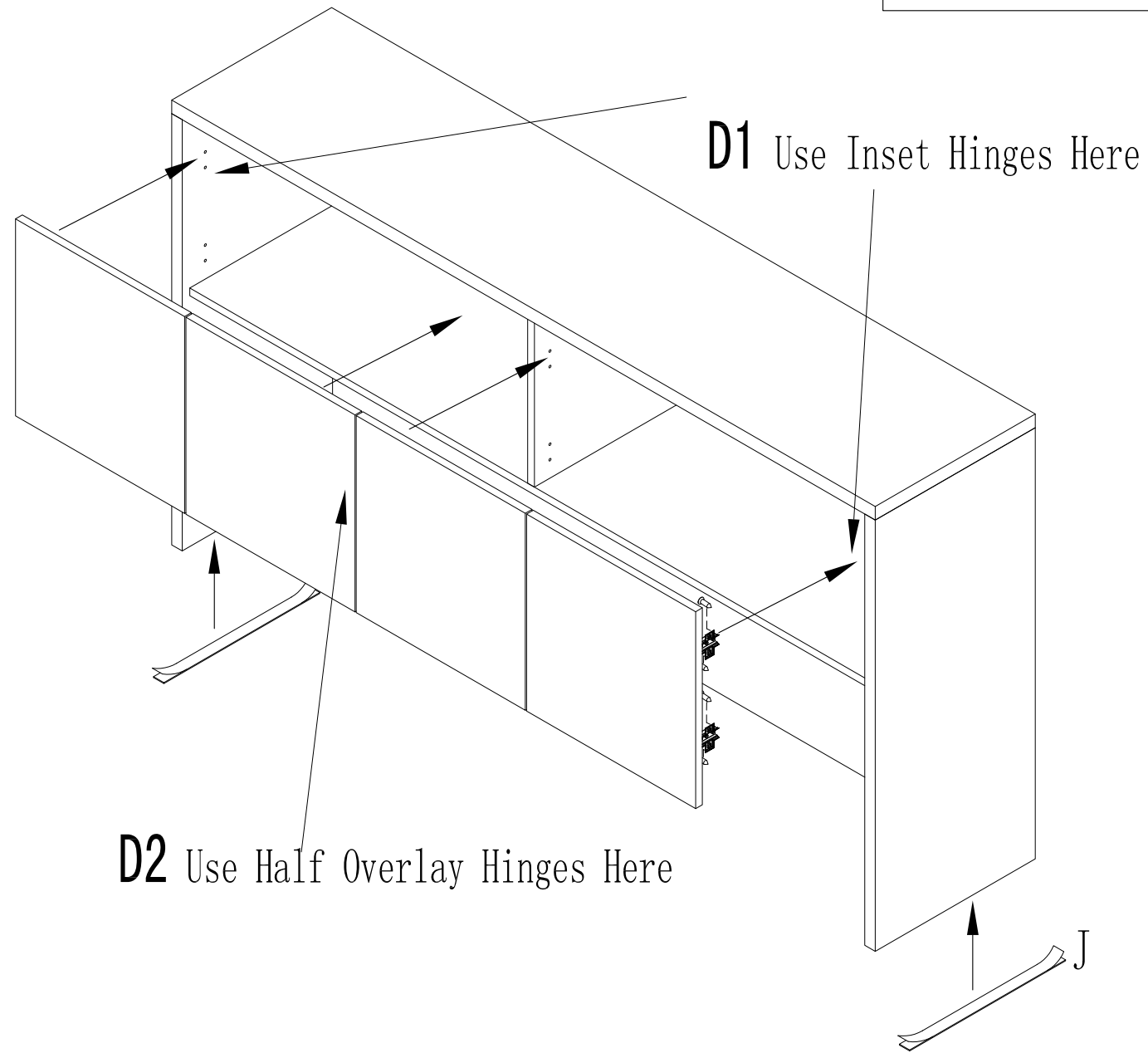
5



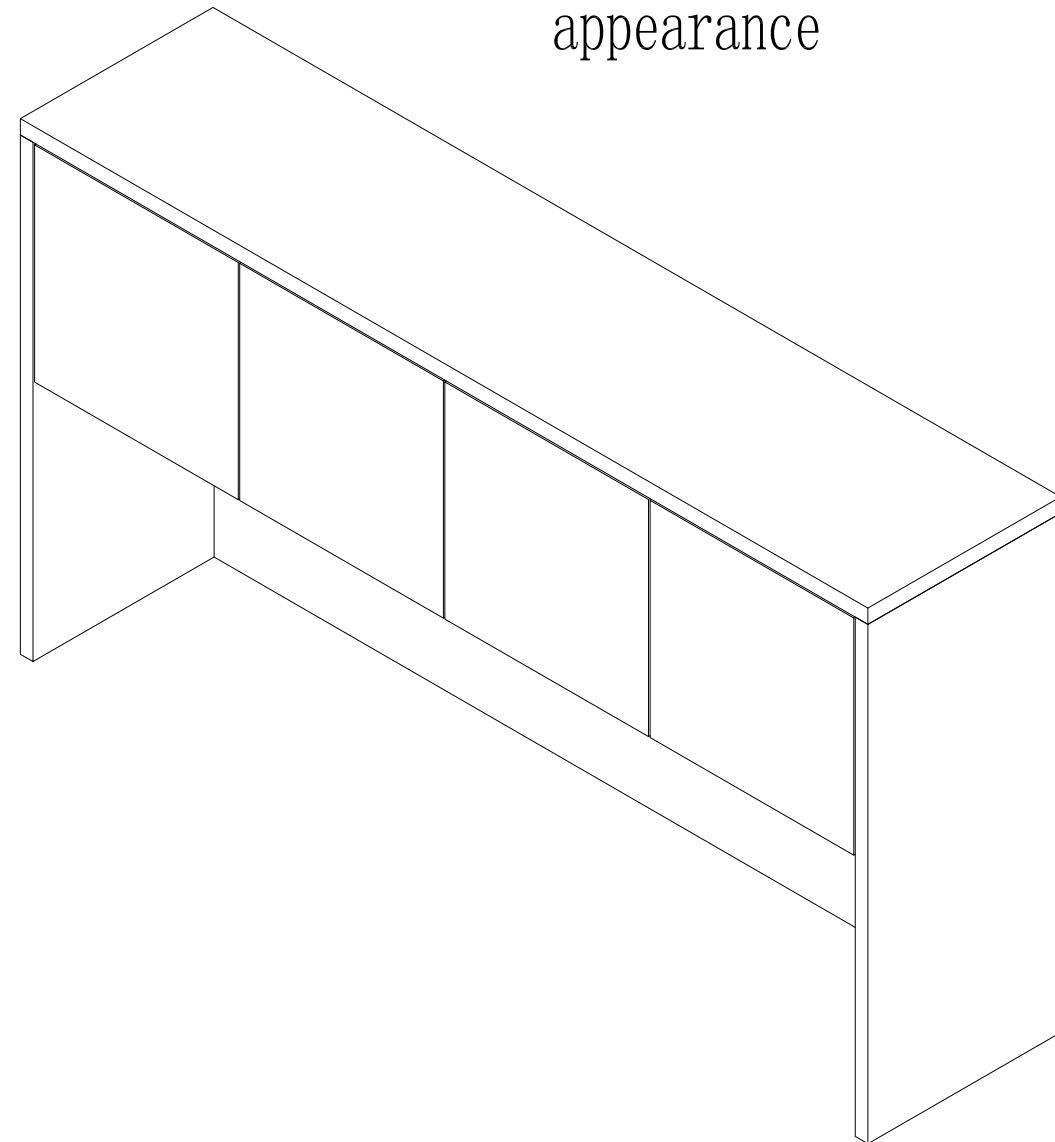
F*16



J*2

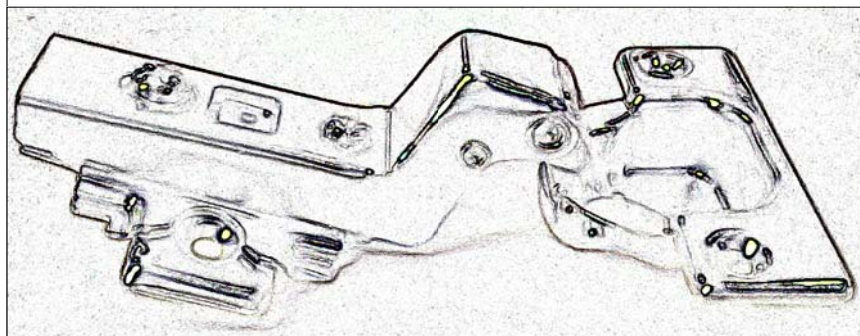


appearance

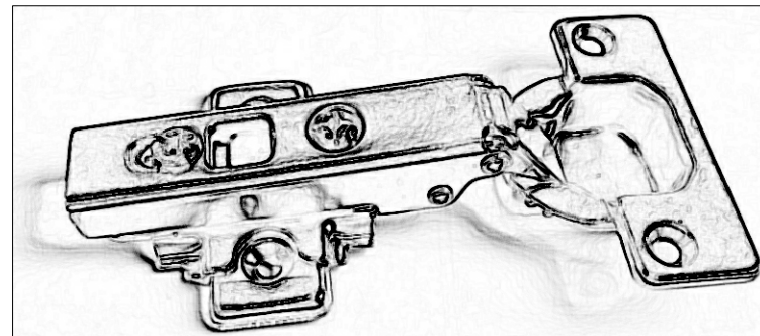


Hardware

NO.	sample. pc	name	QTY
A		Cam	26
B		Connector	26
C		Grommet 35mm	1
D1		Hinge(inset)	4
D2		Hinge(half overlay)	4
E		Dowel	20
F		Screw(ST4*13)	32
G		Cam lid(deep)	8
H		Cam lid(low)	18
J		Double stick	2



D1*4



D2*4 Straight Hinges