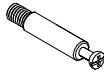

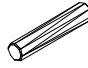
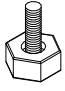
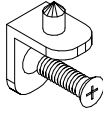
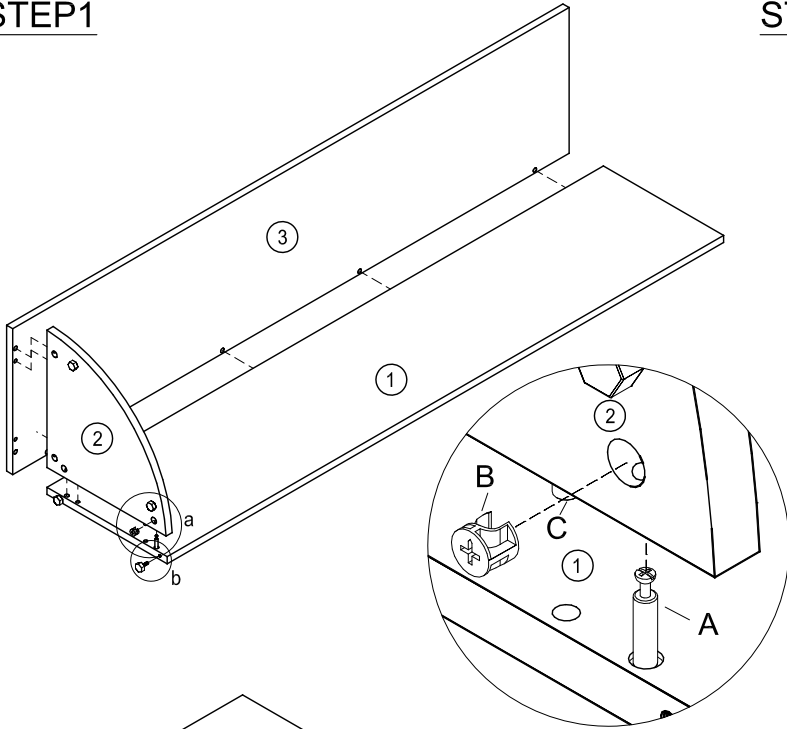


Assembly Instructions MODEL NO.:MDX-1566CBC

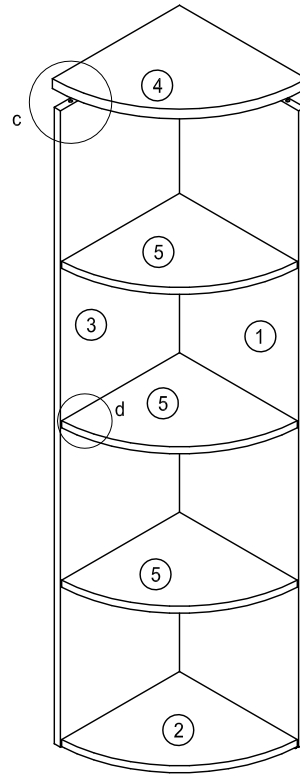
Low Cabinet

TUN010CL	TUN011KC			
A 	B 	C 	D 	E 
Cam LOCK 12 PCS	Klix Cam 12 PCS	Dowel 8 PCS	Adjustable Glide 6 PCS	Shelf Dowel 12 PCS


STEP1



STEP2

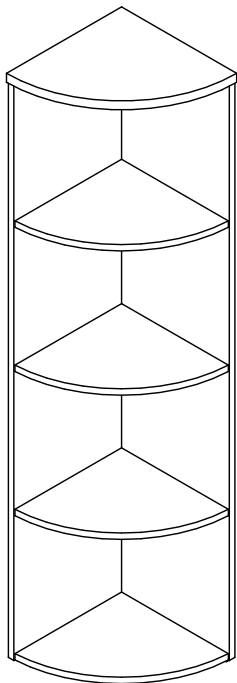
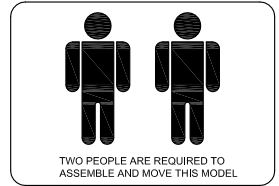


IMPORTANT:
FUNCTION OF KLIX CAM

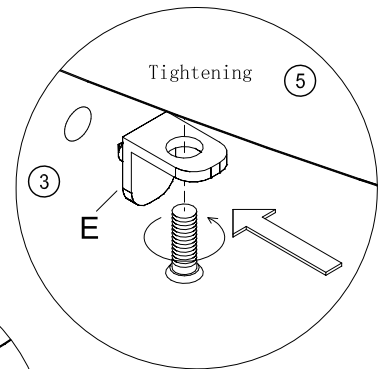
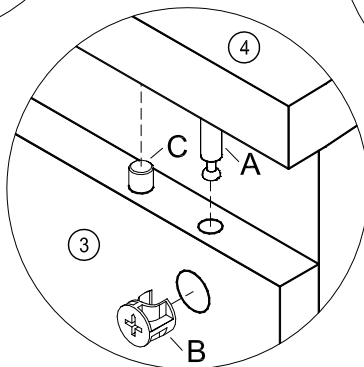
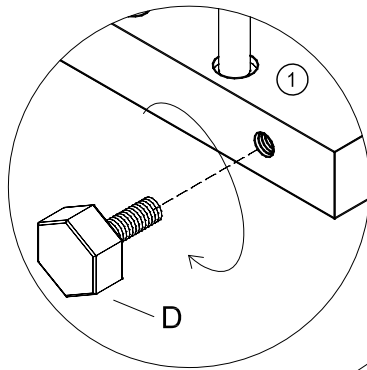


1/4 RIGHT TURN FOR LOCKING

MAKE SURE THE ARROW IS POINTING UPWARDS BEFORE INSERTING INTO THE PANEL'S HOLE.



COMPLETED ASSEMBLY



IMPORTANT NOTE:

- Place all laminated parts on a clean and smooth surface such as a rug or carpet to avoid the parts from being scratched.
- Check to be sure that you have all parts and hardware.
- Remove all wrapping materials, including staples & packing straps before you start to assemble.
- Don't tighten all screws/bolts until all completely assembled.
- Keep all hardware parts out of reach of children.
- It is recommended to require 2 persons to complete the assembly.