

## CPU HOLDER EZ5000

### MOUNTING INSTRUCTIONS

1. Mount track to underside of work surface
  - a. Make sure track is mounted square to front edge of work surface.
  - b. Depending upon the size of your CPU, position track under the work surface to obtain a desirable retracted position for your CPU.
  - c. Drill 0.125/ 0.136" diameter pilot holes (8) x 5/8" deep in underside of work surface for # 8 x 5/8" screws.
  - d. Install 6 screws along both sides of track and install back center screw with bumper. Make sure screws are drawn down tight.
2. Mount CPU Holder to CPU
  - a. Unbuckle straps then lay the CPU Holder and the straps straight out on a flat surface.
  - b. Position the side of your CPU against the vinyl feet of the CPU Holder and on top of the front bezel of your CPU.
  - c. Wrap the straps around your CPU and position strap bracket on bottom corner of CPU, as shown in illustration "A"
  - d. Snap buckles together, then pull the strap ends and tighten the CPU holder against your CPU.  
The straps must be tight to secure the CPU.
3. Slide unit into grooves on track until it hits back bumper stop.
4. Install front center screw with bumper, as shown in Illustration "B".
5. If end cap (track guard) is included install with two (2) screws over front of track as shown in Illustration "B".

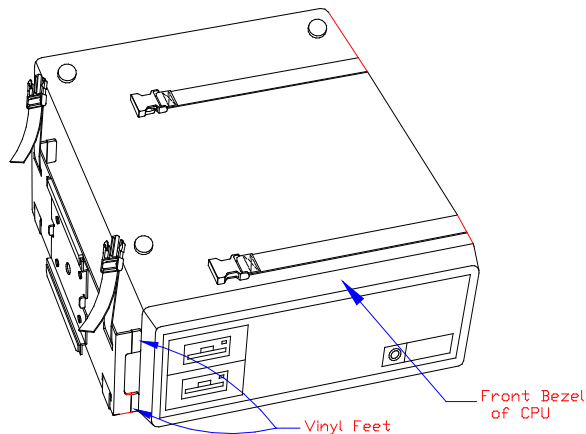


ILLUSTRATION "A"

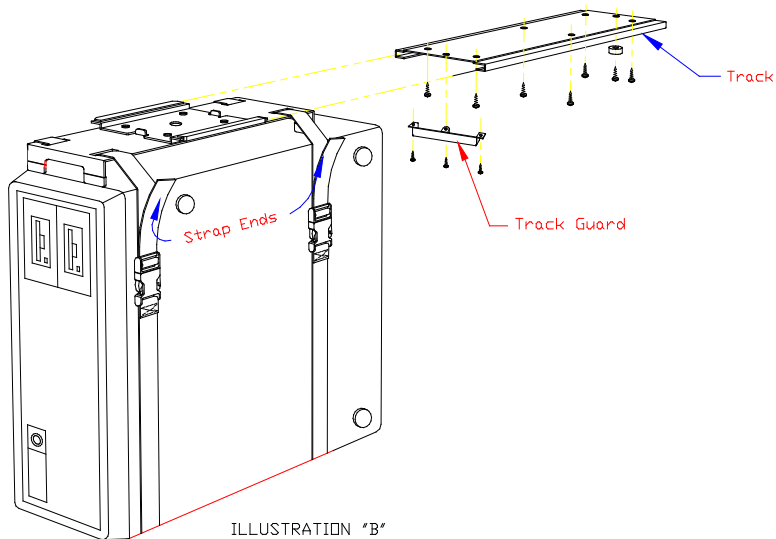


ILLUSTRATION "B"