


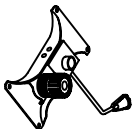






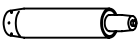



10049-03A ASSEMBLY INSTRUCTION

 <p>1 PC</p>	 <p>5 PCS</p>	 <p>8 PCS</p>	 <p>1 PC</p>	 <p>1 PC</p>	 <p>1 PC</p>	 <p>8 PCS</p>	 <p>1 PC</p>	 <p>1 PAIR</p>	 <p>1 PC</p>	 <p>1 PC</p>	 <p>4 PCS</p>
<p>① 5-STAR BASE</p>	<p>② CASTOR 50MM</p>	<p>③ SCREW 1/4" * 3/4"</p>	<p>④ MECHANISM</p>	<p>⑤ SEAT CUSHION</p>	<p>⑥ BACK CUSHION</p>	<p>⑦ PLASTIC CAP</p>	<p>⑧ ALLEN KEY</p>	<p>⑨ ARMREST</p>	<p>⑩ DUST COVER</p>	<p>⑪ GAS LIFT</p>	<p>⑫ SCREW 1/4" * 1"</p>
